



## CTE

ENGAGE™ single door controller  
with multi-technology reader



### Overview

The CTE is an ENGAGE™ enabled single opening controller that allows perimeter and common area openings to be managed in a single system along with Schlage Control™ smart deadbolts, NDE cylindrical and LE mortise wireless locks. It is ideal for multi-family, commercial mixed use and retail store front applications.

The CTE is designed to work with a Schlage® multi-technology credential reader and interface with an electrified lock, electromagnetic lock, electric strike, automatic operator, or exit device to control an opening.

The CTE single door controller is designed for flexibility and can be managed with ENGAGE™ web and mobile apps or with one of our Software Alliance Member systems.

### Features and benefits

- Enables around the door solution with ENGAGE functionality
- Built-in BLE and Wi-Fi
- Complete with Schlage MT11-485 or MT15-485 reader (required)
- No-Tour capable
- Flexible connectivity options: manage with ENGAGE web and mobile apps or with one of our Software Alliance Members
- Inputs: door position (DPS), request to exit (REX), request to enter (REN), remote release (REL)
- Outputs: lock relay, alarm relay, auxiliary (AUX) relay
- Input Power: 12 or 24 VDC or Power over Ethernet (PoE)
- Provides DC output power and dry control contacts

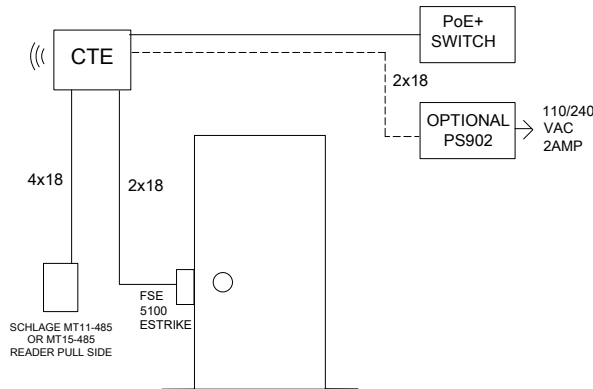
## CTE single door controller specifications

Users	Up to 5,000
Audits	Up to 2,000
Schedules	Up to 16
Holidays	Up to 32
Time zones	Up to 16
Communication Standards	Bluetooth low energy (version 4.2)
	2.4 GHz Wi-Fi® (IEEE 802.11b/g/n)
	WPA2, WPA, WEP, 802.1x (PEAP)
	Transport Layer Security (TLS) version 1.2
	Advanced Encryption Standard (AES), 256-bit
Gateway communication range	Up to 30' in typical building environments. A detailed site survey is recommended. Reference ENGAGE™ Gateway Data Sheet for additional details.
Connectivity options	Mobile (send updates at door)
	Wi-Fi access point (automatic daily updates)
	ENGAGE Gateway, IP to host (Networked wireless reader interface)
	No-Tour, requires MT20W enrollment reader and smart Credentials
Power Inputs	12 or 24 VDC at 3 Amps input for powered outputs to get max 2 Amp output on relays, 0.5 Amp minimum input when using dry contacts.
	PoE/PoE+ (IEEE 802.3af/at)
Powered Outputs: Locking Mechanism, Alarm, Auxiliary	12 VDC in: 2A @ 12 VDC -- Max Combined output across powered outputs
	24 VDC in: Max 2A @ 24 VDC -- Max Combined output across powered outputs
	PoE in: Max 0.5A @ 12 VDC -- Max Combined output across powered outputs
	PoE+ in: Max 1.5A @ 12 VDC -- Max Combined output across powered outputs
Powered Outputs: Reader	0.3A @ 12 VDC (up to 500 ft.)
	External power source 12/24VDC -- (Output to reader is always 12VDC)
Outputs (Dry): Locking mechanism, Aux, Alarm	Locking mechanism: 2A @ 30VDC max
	AUX: 2A @ 30VDC max
	Alarm: 2A @ 30VDC max
Signal Inputs	Reader (Schlage MTxx-485)
	Request-to-enter (REN)
	Request-to-exit (REX)
	Remote Release (REL) -- wired
	Door position switch (DPS)
Operating temperature (indoor)	-31°F (-35°C) to 151°F (66°C)
Operating humidity	0 - 100% non-condensing
Certifications	UL 294 Indoor, FCC Part 15, NEMA Enclosure Indoor (Type 1, 4, and 4X), ULC S319 Indoor, RoHS
Dimensions	2.96" x 5.89" x 7.86"
Reader Requirement	Schlage MT11-485 or MT15-485 Reader

# The CTE single door controller with multi-technology reader kit can be used in a variety of applications. Below are a few examples:

Please note all components sold separately.

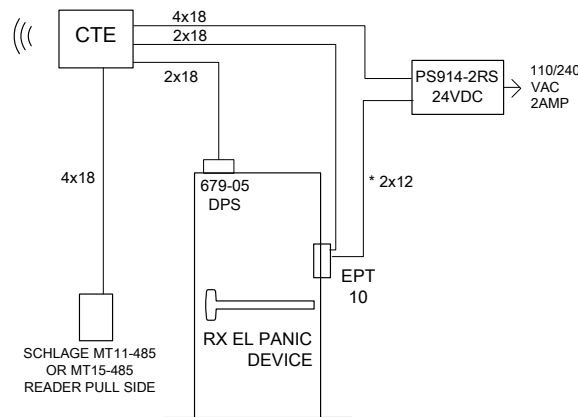
ENGAGE™ cloud via mobile device or Wi-Fi, or Software Alliance Member (SAM) via Wi-Fi or GWE with IP to host



**Operation:** Presenting a valid credential to Schlage MT XX-485 reader will cause fail secure 5100 electric strike to release for authorized entrance. Free egress always.

**Products:** We offer a variety of electric strikes from Locknetics® and Von Duprin®, as well as Schlage Power Supplies to meet the specific needs of the opening.

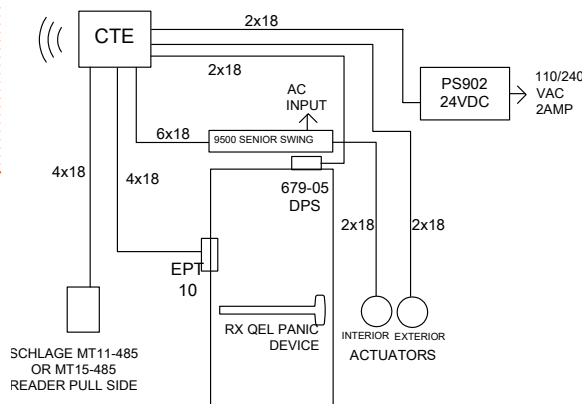
ENGAGE™ cloud via mobile device or Wi-Fi, or Software Alliance Member (SAM) via Wi-Fi or GWE with IP to host



**Operation:** Presenting a valid credential to Schlage MT XX-485 will cause EL panic device to retract for authorized entrance. Free non-alarmed egress at all times.

**Products:** We offer a variety of Falcon® and Von Duprin exit devices, and Von Duprin power supplies to meet the specific needs of the opening.

ENGAGE™ cloud via mobile device or Wi-Fi, or Software Alliance Member (SAM) via Wi-Fi or GWE with IP to host



**Operation:** Presenting a valid credential to Schlage MT XX-485 will cause QEL panic device to retract for authorized entrance and enable exterior actuator. Free non-alarmed egress at all times. Interior actuator always active to retract QEL panic and open door.

**Products:** We offer a variety of hardware and accessories from Von Duprin, LCN®, Schlage and Locknetics to meet the specific needs of the opening.

## Reader requirement



MT11-485

MT15-485

The CTE single door controller kit is available with two reader options:

- **CTE-MT11-485:** CTE with multi-technology mullion reader kit
- **CTE-MT15-485:** CTE with multi-technology single gang reader kit

**Notes:**

- Reader color (black, grey, brown, or cream) can be specified; black is the default
- Custom reader configuration can be specified

## Credential compatibility

### Multi-technology reader specification

125 kHz proximity credential compatibility

**Compatibility:** Schlage®, XceedID®, HID®, GE/CASI ProxLite®, AWID® and LenelProx®  
**Schlage credential style formats:** Clamshell, ISO card, ISO card with magnetic stripe, keyfob, thin keyfob and PVC adhesive disk

13.56 MHz smart credential compatibility<sup>1</sup>

**Secure sector compatibility:** Schlage and aptiQ™ MIFARE Classic®, XceedID, Schlage MIFARE Plus®, Schlage and aptiQ MIFARE® DESFire® EV1 with PACSA, aptiQ (Schlage) mobile credentials utilizing NFC technology  
**CSN only compatibility<sup>2</sup>:** DESFire, HID iClass®, Inside Contactless Pico Tag®, MIFARE, MIFARE DESFire EV1, ST Microelectronics®, Texas Instruments Tag-It®, Phillips I-Code®  
**Schlage credential style formats:** Clamshell, ISO card, ISO card with magnetic stripe, keyfob, thin keyfob, wearable wristband, NFC mobile, PVC adhesive patch

<sup>1</sup> No-Tour applications require 13.56 MHz smart credentials from Schlage or aptiQ. Minimum memory size of 8k bit/1K byte required.

<sup>2</sup> Configuration card required to enable CSN.

The CTE can operate in the same system as Schlage Control™ smart locks, NDE and LE wireless locks.

Manage with ENGAGE™ cloud based web and mobile apps or with one of our Software Alliance Members.

To learn more visit [allegionengage.com](http://allegionengage.com).

ENGAGE™ cloud-based web and mobile applications



The ENGAGE cloud-based web and mobile applications deliver simple and convenient site set-up with basic access management for users and locks. Please refer to the ENGAGE data sheet for additional detail.



Allegion, the Allegion logo, aptiQ, ENGAGE, Falcon, LCN, Schlage, the Schlage logo, Von Duprin and XceedID are trademarks of Allegion plc, its subsidiaries and/or affiliates in the United States and other countries. All other trademarks are the property of their respective owners.

## About Allegion

Allegion (NYSE: ALLE) is a global pioneer in safety and security, with leading brands like CISA®, Interflex®, LCN®, Schlage®, SimonsVoss® and Von Duprin®. Focusing on security around the door and adjacent areas, Allegion produces a range of solutions for homes, businesses, schools and other institutions. Allegion is a \$2 billion company, with products sold in almost 130 countries. For more, visit [www.allegion.com](http://www.allegion.com).



**ALLEGION™**